

Measurement and Lab Equipment Basics

Vocabulary Activity - Student Edition



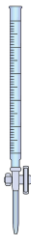
Beaker



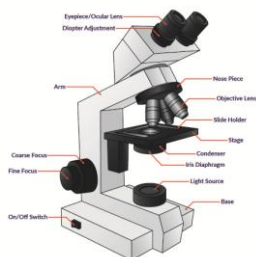
Boiling tube



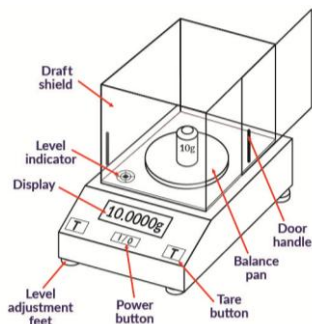
Bunsen burner



Burette



Compound Microscope



Digital (Analytical) balance

Measurement and Lab Equipment Basics

Vocabulary Activity - Student Edition



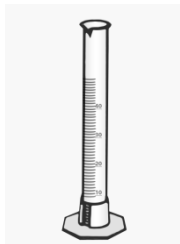
Droppers



Erlenmeyer flask



Evaporating Basin



Measuring cylinder



Mortar and Pestle



Petri dish



Pipette

Measurement and Lab Equipment Basics

Vocabulary Activity - Student Edition



Ring Stand



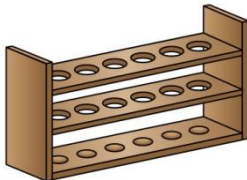
Spatula



Spirit lamp



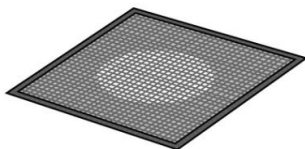
Test tube



Test tube rack



Watch glass



Wire gauze mat
